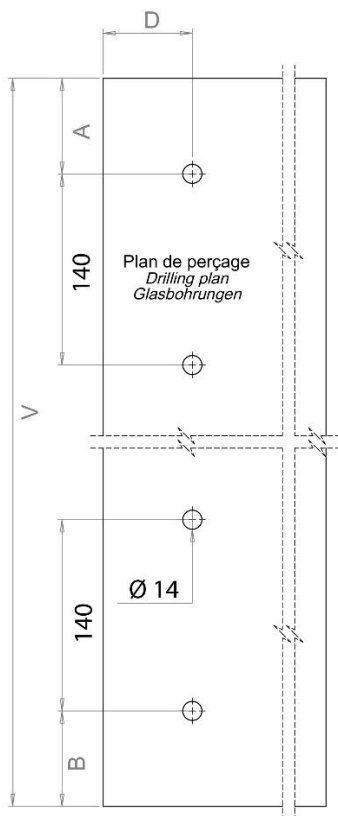
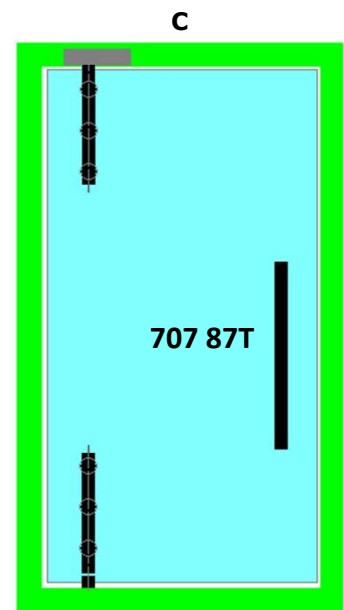
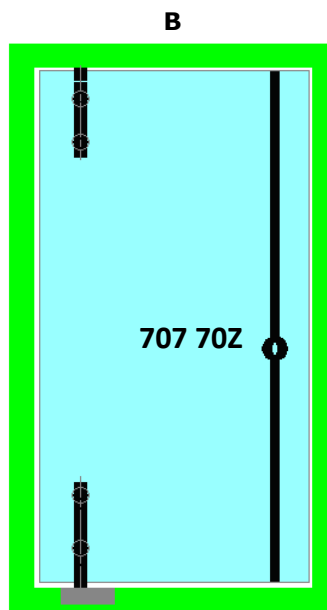
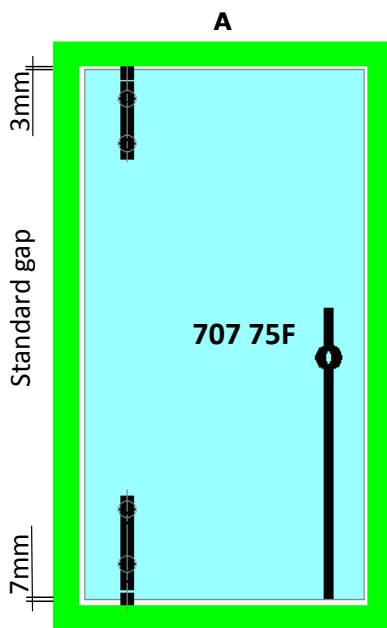
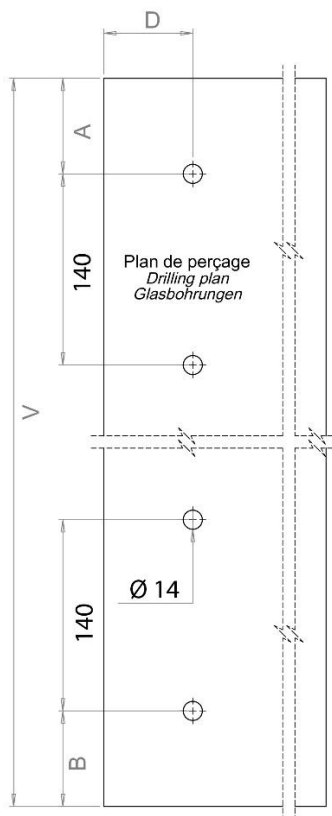


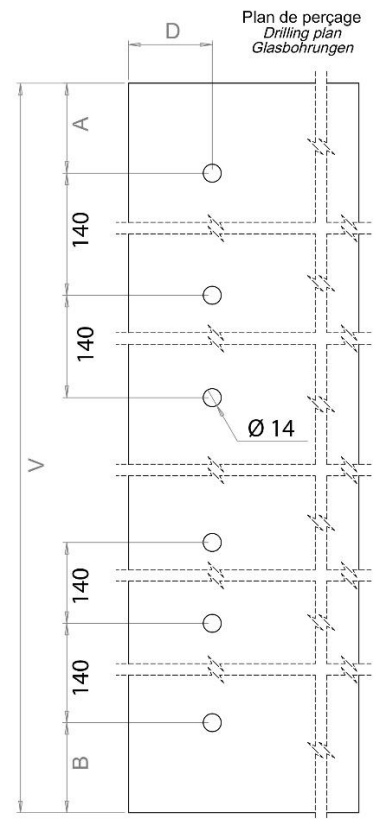
short Hinges/Half Pivot stick






With integrated locking handle
1 low locking point



With integrated locking handle
2 top and bottom locking points



With handle without lock

Components		BSS Ø 25	Mark	Unit
<p>High hinge pivot Low hinge on free pivot Glass 8-16 mm tempered monolithic or laminated</p>		<p>732 21P</p>	<p>A</p>	<p>Set of 2</p>
<p>High hinge pivot Hinge on axle Glass 8-16mm tempered monolithic or laminated</p>		<p>732 23R Rectangular shaft 732 22Q Square axis</p>	<p>B</p>	<p>Set of 2</p>
<p>High hinge with square right insert Low hinge on free axle Glass 8-16 mm tempered monolithic or laminated</p>		<p>732 24S</p>	<p>C</p>	<p>Set of 2</p>

Tightening torque: 20-24 NM. Drilling Ø 14mm.
Other door thicknesses on request.